
MT-1

———— CONTENTS ————

FIG.1	MT-1	2
FIG.2	ACCESSOREIS	4
	• INDEX	6

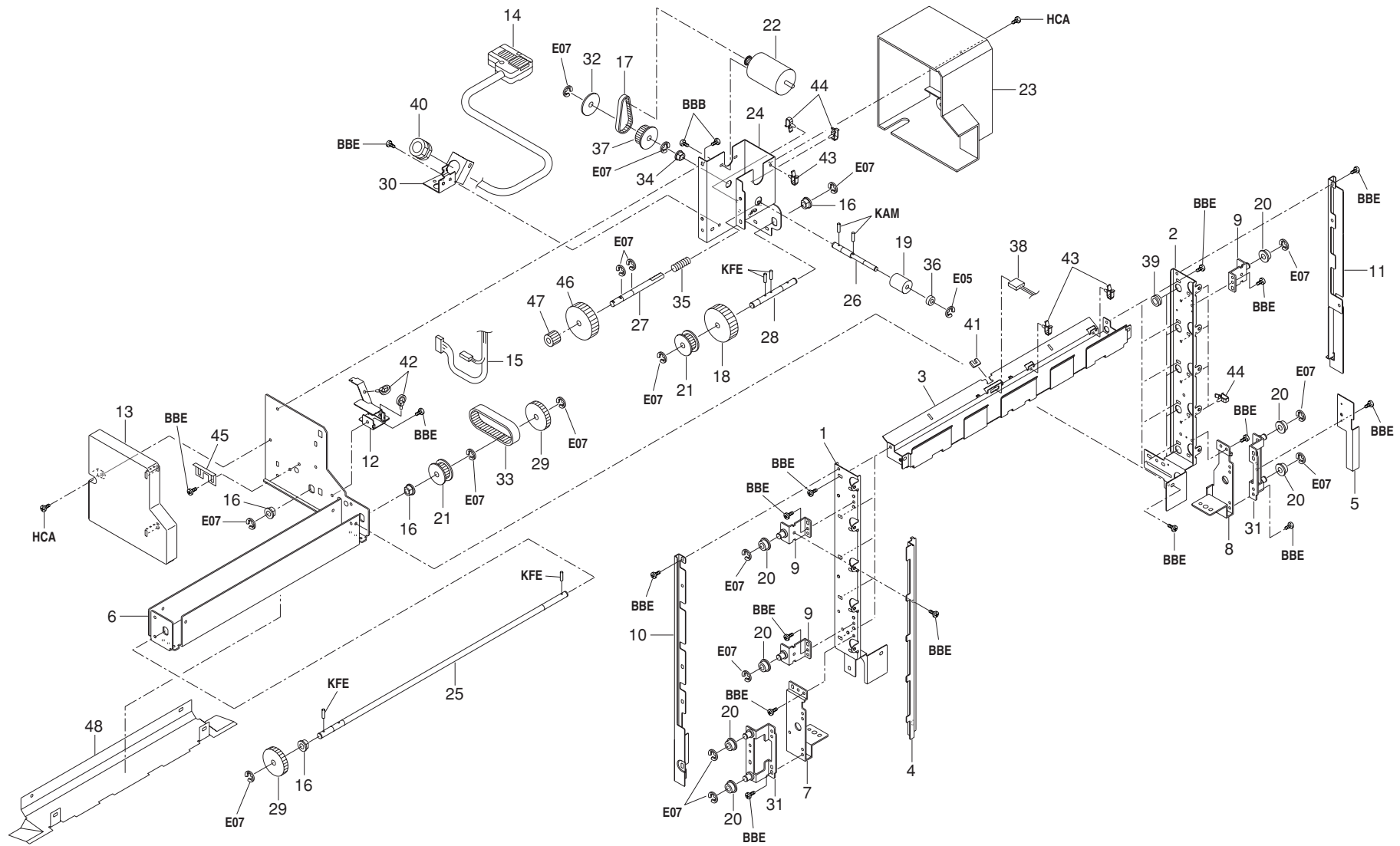


FIG. 1 MT-1

3CB

SP	Ref. No.	Part. No.	Description	Quantity		
				120V	230V	240V
	1	3CB02010	FRONT SUPPORT PLATE,BIN	1	1	1
	2	3CB02020	REAR SUPPORT PLATE,BIN	1	1	1
	3	3CB02030	INNER SUPPORT PLATE,BIN	5	5	5
	4	3CB02060	DETECTION PLATE,BIN POSITION	1	1	1
	5	3CB02070	DETECTION PLATE,BIN UNIT	1	1	1
	6	3CB02110	BASE,SUPPORT PLATE	1	1	1
	7	3CB02120	FRONT MOUNT BASE,PIN SUPPORT PLATE	1	1	1
	8	3CB02130	REAR MOUNT BASE,PIN SUPPORT PLATE	1	1	1
	9	3CB02140	UPPER SUPPORT PLATE,PIN	4	4	4
	10	3CB02150	FRONT PARTITION	1	1	1
	11	3CB02160	REAR PARTITION	1	1	1
	12	3CB02170	FEED GUIDE,WIRE	1	1	1
●	13	3CB04050	FRONT COVER,MOTOR	1	1	1
	14	3CB27010	JUNCTION WIRING,FINISHER	1	1	1
	15	3CB27020	WIRE,TRAY SENSOR	1	1	1
	16	49021100	BUSHING	4	4	4
●	17	3AK08360	BELT,LEADING FEED	1	1	1
●	18	3AK20090	GEAR 51	1	1	1
●	19	3AK20130	GEAR,WORM MAIN TRAY	1	1	1
●	20	3AK20200	PULLEY,MAIN TRAY	6	6	6
●	21	3AK20230	PULLEY 20S5M	2	2	2
●	22	3AK27010	MOTOR,MAIN TRAY	1	1	1
●	23	3B804150	COVER,MOTOR	1	1	1
	24	3B820060	MOUNT,TRAY DRIVE	1	1	1
	25	3B820080	SHAFT,TRAY LIFT	1	1	1
	26	3B820090	SHAFT,LIFT WORM	1	1	1
	27	3B820100	SHAFT 18/50,LIFT	1	1	1
	28	3B820110	SHAFT 20/51,LIFT	1	1	1
●	29	3B820120	GEAR 26,LIFT	2	2	2
	30	3B820130	MOUNT,JUNCTION WIRING TRAY	1	1	1
	31	3B820140	SUPPORT PLATE,PIN	2	2	2
	32	78918290	FLANGE PULLEY 27	1	1	1
●	33	63422220	BELT,DRIVE CAM A	1	1	1
●	34	67322230	BUSHING 8	1	1	1
	35	3B820200	SPRING,TRAY DRIVE	1	1	1
●	36	74808080	BEARING,686ZZNR	1	1	1
●	37	63416200	PULLEY 34,CONVEYING	1	1	1
	38	J0395030	CASE,53358-0310(MOLEX)	5	5	5
	39	M1203200	OPEN BUSHING,OCB-375	5	5	5
	40	M1203550	STRAIN RELEAF BUSHING,SR-7W-2	1	1	1

SP	Ref. No.	Part. No.	Description	Quantity		
				120V	230V	240V
	41	M2104260	EDGING,EDS-0607U(KITAGAWA)	5	5	5
	42	M2107120	BINDING BAND SG-130	2	2	2
	43	M2109260	WIRE SADDLE,YMC-05-H-0(KITAGAWA)	11	11	11
	44	M2109350	WIRE SADDLE,YMC-15-0(KITAGAWA)	6	6	6
	45	3B820150	RETAINER,SHAFT LIFT	1	1	1
●	46	3B820180	GEAR 50,TRAY DRIVE	1	1	1
●	47	3B820190	GEAR 18,TRAY DRIVE	1	1	1
	48	3CB02200	LOWER GUIDE	1	1	1

• Parts with "●" indicates the Service parts.

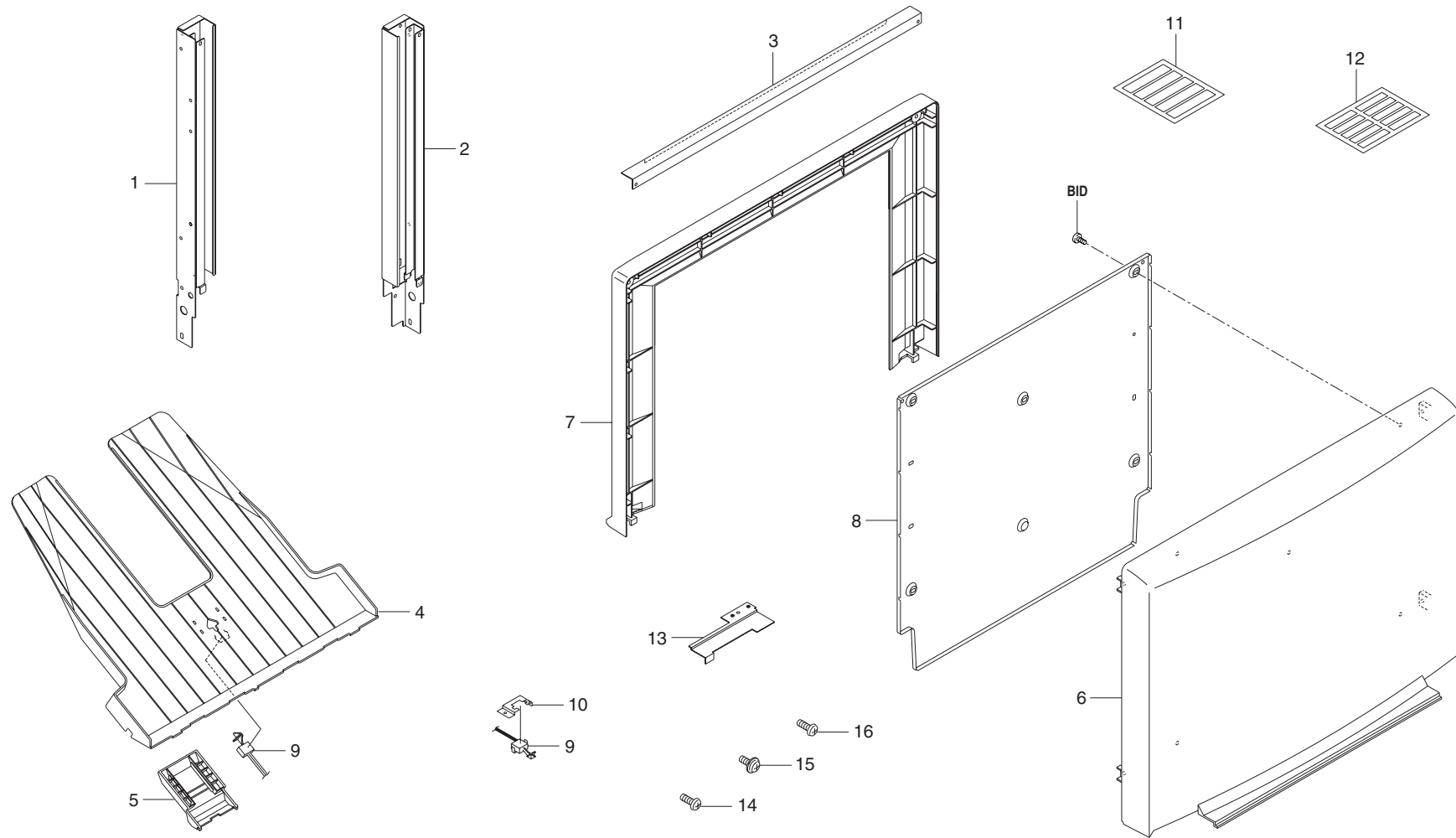


FIG. 2 ACCESSOREIS

3CB

SP	Ref. No.	Part. No.	Description	Quantity		
				120V	230V	240V
	1	3CB02090	FRONT TOP FEED GUIDE,BIN	1	1	1
	2	3CB02100	REAR TOP FEED GUIDE,BIN	1	1	1
	3	3CB02180	RETAINER,BIN GUIDE	1	1	1
●	4	3CB04010	BIN,EJECT	5	5	5
●	5	3CB04020	LID,BIN EJECT	5	5	5
●	6	3CB04030	RIGHT COVER	1	1	1
●	7	3CB04040	LEFT COVER	1	1	1
	8	3CB04060	RIGHT PARTITION,COVER	1	1	1
●	9	33906990	SWITCH,BYPASS SIZE DETECTION	7	7	7
	10	3CB02190	MOUNT,SAFETY SWITCH	2	2	2
●	11	3CB05020	LABEL,BIN	1	1	1
●	12	3CB05030	LABEL,BIN(Z)	1	1	1
	13	3CB02210	DETECTION PLATE A,TRAY	1	1	1
	14	B1304060	BINDING SCREW BVM4X6 (BLACK)	6	6	6
	15	B4104080	TRIPLE SCREW M4X08(CHROMIUM)	6	6	6
	16	B1303050	BINDING SCREW BVM3X5 (BLACK)	1	1	1

• Parts with "●" indicates the Service parts.

INDEX

3CB

SP	Part. No.	Description	Quantity			Fig. No.
			120V	230V	240V	
●	3AK08360	BELT,LEADING FEED	1	1	1	1
●	3AK20090	GEAR 51	1	1	1	1
●	3AK20130	GEAR,WORM MAIN TRAY	1	1	1	1
●	3AK20200	PULLEY,MAIN TRAY	6	6	6	1
●	3AK20230	PULLEY 20S5M	2	2	2	1
●	3AK27010	MOTOR,MAIN TRAY	1	1	1	1
●	3B804150	COVER,MOTOR	1	1	1	1
	3B820060	MOUNT,TRAY DRIVE	1	1	1	1
	3B820080	SHAFT,TRAY LIFT	1	1	1	1
	3B820090	SHAFT,LIFT WORM	1	1	1	1
	3B820100	SHAFT 18/50,LIFT	1	1	1	1
	3B820110	SHAFT 20/51,LIFT	1	1	1	1
●	3B820120	GEAR 26,LIFT	2	2	2	1
	3B820130	MOUNT,JUNCTION WIRING TRAY	1	1	1	1
	3B820140	SUPPORT PLATE,PIN	2	2	2	1
	3B820150	RETAINER,SHAFT LIFT	1	1	1	1
●	3B820180	GEAR 50,TRAY DRIVE	1	1	1	1
●	3B820190	GEAR 18,TRAY DRIVE	1	1	1	1
	3B820200	SPRING,TRAY DRIVE	1	1	1	1
	3CB02010	FRONT SUPPORT PLATE,BIN	1	1	1	1
	3CB02020	REAR SUPPORT PLATE,BIN	1	1	1	1
	3CB02030	INNER SUPPORT PLATE,BIN	5	5	5	1
	3CB02060	DETECTION PLATE,BIN POSITION	1	1	1	1
	3CB02070	DETECTION PLATE,BIN UNIT	1	1	1	1
	3CB02090	FRONT TOP FEED GUIDE,BIN	1	1	1	2
	3CB02100	REAR TOP FEED GUIDE,BIN	1	1	1	2
	3CB02110	BASE,SUPPORT PLATE	1	1	1	1
	3CB02120	FRONT MOUNT BASE,PIN SUPPORT PLATE	1	1	1	1
	3CB02130	REAR MOUNT BASE,PIN SUPPORT PLATE	1	1	1	1
	3CB02140	UPPER SUPPORT PLATE,PIN	4	4	4	1
	3CB02150	FRONT PARTITION	1	1	1	1
	3CB02160	REAR PARTITION	1	1	1	1
	3CB02170	FEED GUIDE,WIRE	1	1	1	1
	3CB02180	RETAINER,BIN GUIDE	1	1	1	2
	3CB02190	MOUNT,SAFETY SWITCH	2	2	2	2
	3CB02200	LOWER GUIDE	1	1	1	1
	3CB02210	DETECTION PLATE A,TRAY	1	1	1	2
●	3CB04010	BIN,EJECT	5	5	5	2
●	3CB04020	LID,BIN EJECT	5	5	5	2
●	3CB04030	RIGHT COVER	1	1	1	2

SP	Part. No.	Description	Quantity			Fig. No.
			120V	230V	240V	
●	3CB04040	LEFT COVER	1	1	1	2
●	3CB04050	FRONT COVER,MOTOR	1	1	1	1
	3CB04060	RIGHT PARTITION,COVER	1	1	1	2
●	3CB05020	LABEL,BIN	1	1	1	2
●	3CB05030	LABEL,BIN(Z)	1	1	1	2
	3CB27010	JUNCTION WIRING,FINISHER	1	1	1	1
	3CB27020	WIRE,TRAY SENSOR	1	1	1	1
●	33906990	SWITCH,BYPASS SIZE DETECTION	7	7	7	2
●	49021100	BUSHING	4	4	4	1
●	63416200	PULLEY 34,CONVEYING	1	1	1	1
●	63422220	BELT,DRIVE CAM A	1	1	1	1
●	67322230	BUSHING 8	1	1	1	1
●	74808080	BEARING,686ZZNR	1	1	1	1
	78918290	FLANGE PULLEY 27	1	1	1	1
	B1303050	BINDING SCREW BVM3X5 (BLACK)	1	1	1	2
	B1304060	BINDING SCREW BVM4X6 (BLACK)	6	6	6	2
	B4104080	TRIPLE SCREW M4X08(CHROMIUM)	6	6	6	2
	J0395030	CASE,53358-0310(MOLEX)	5	5	5	1
	M1203200	OPEN BUSHING,OCB-375	5	5	5	1
	M1203550	STRAIN RELEAF BUSHING,SR-7W-2	1	1	1	1
	M2104260	EDGING,EDS-0607U(KITAGAWA)	5	5	5	1
	M2107120	BINDING BAND SG-130	2	2	2	1
	M2109260	WIRE SADDLE,YMC-05-H-0(KITAGAWA)	11	11	11	1
	M2109350	WIRE SADDLE,YMC-15-0(KITAGAWA)	6	6	6	1

• Parts with "●" indicates the Service parts.